

SINCE 1974

CANADA  SCAFFOLD

SAFETY INTEGRITY VALUE



CS1 LIGHT DUTY SCAFFOLD

SINCE 1974

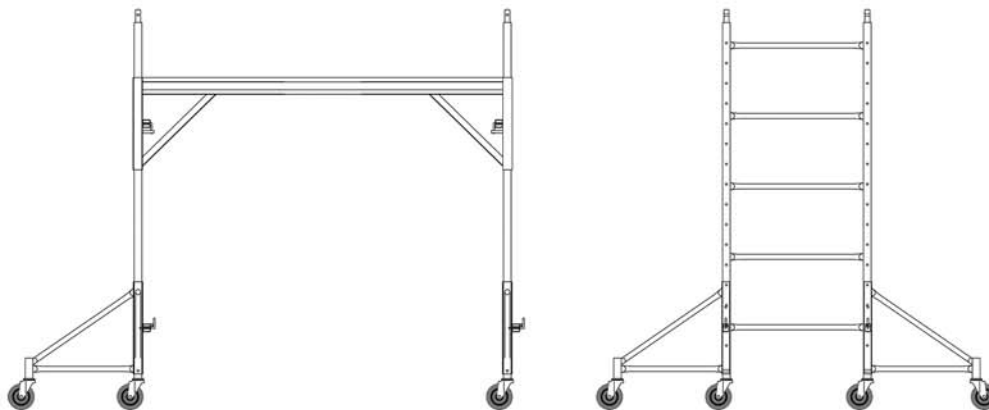
CANADA SCAFFOLD

SAFETY INTEGRITY VALUE

WWW.CANADASCAFFOLD.COM

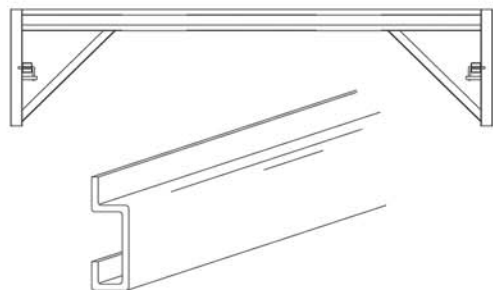
6' LADDER FRAMES

COME SWITH LADDER RUNGS
FOR ACCESS AND EGRESS TO PLATFORM



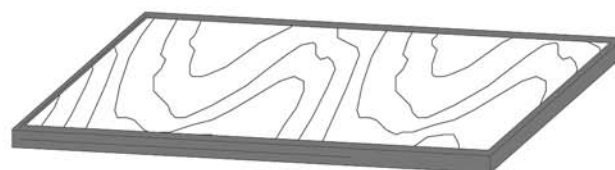
PLATFORM SUPPORT TRUSSES

STRONG, WELL DESIGNED CHANNELS
WHICH ADD AN EXTRA SAFETY FACTOR



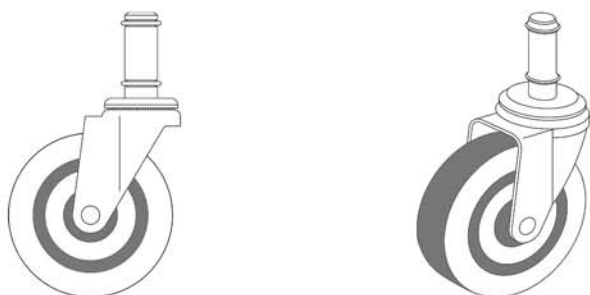
REINFORCED 3/4" PLYWOOD PLATFORM

3/4" PLYWOOD, SURROUNDED BY A
STEEL BORDER TO PROTECT
AND REINFORCE THE PLYWOOD EDGES



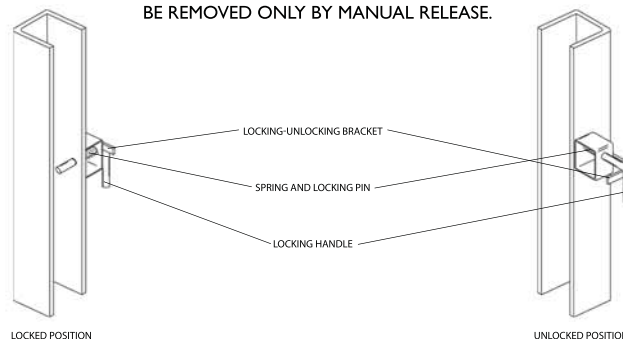
5" HARD RUBBER SWIVEL CASTORS

SWIVEL CASTORS ARE ATTACHED
TO FRAMES WITH SPRING TYPE RINGS.
CASTORS COME WITH A BRAKE.



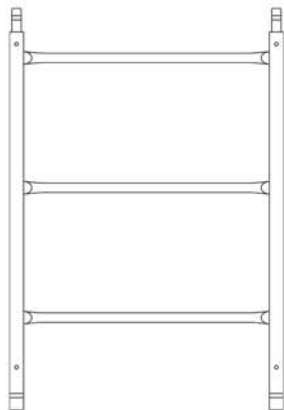
CS1 - SAFETY LOCK

THE SAFETY LOCK ON ALL CS1 SCAFFOLD PRODUCTS
PROVIDE SAFETY AND SPEED. A SPECIAL SPRING LOADED PIN,
SNAPS INTO POSITION TO PROVIDE AUTOMATIC LOCKING.
THIS PIN RESISTS VIBRATION, BUMPS AND CAN
BE REMOVED ONLY BY MANUAL RELEASE.



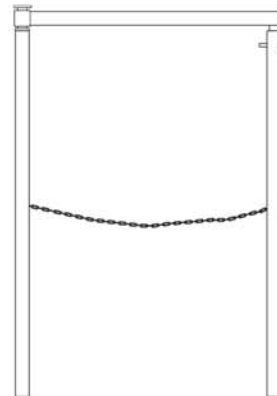
CS1-HALF LADDER FRAME/ END FRAME

THE HALF LADDER FRAME IS USED AS AN END FRAME WHEN A WORKING HEIGHT IS GREATER THAN 4'. THE HALF LADDER FRAME CAN ALSO BE USED FOR JOBS REQUIRING UP TO A 40" WORKING LEVEL.



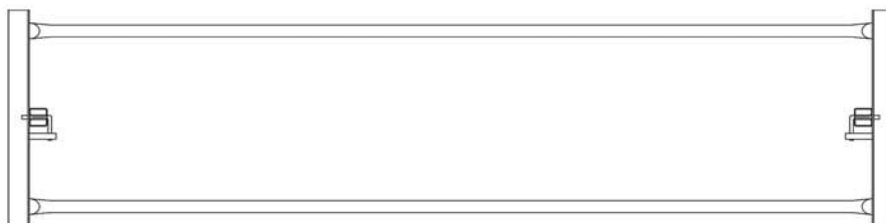
CS1 - ACCESS SWING GATE

A NEW AND IMPROVED ACCESS GATE FOR SAFE ACCESS AND EGRESS FROM A CS1 WORK PLATFORM.



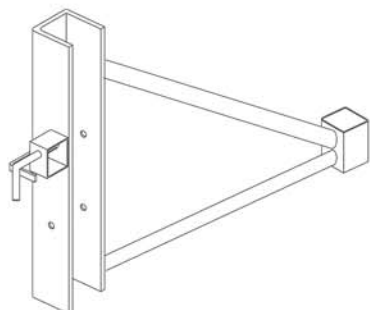
CS1-GUARD RAIL

NOW MANDATORY WHEN WORKING FOUR FEET OR HIGHER ON A CS1 UTILITY SCAFFOLD. COMES WITH SAFETY LOCKS FOR QUICK ASSEMBLY.



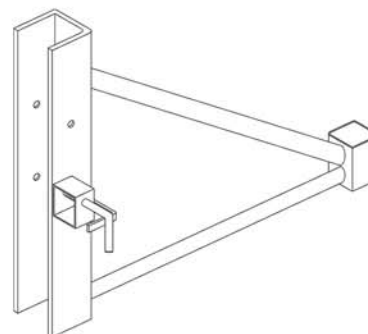
CS1 - CLIMBING OUTRIGGER

THIS NEWLY DESIGNED CLIMBING OUTRIGGER IS NOW MANDATORY ON ALL CS1 UNITS. USED WITH A 5" CASTOR, BOTH A LEFT AND RIGHT CLIMBING OUTRIGGER ARE ATTACHED TO A SINGLE END FRAME TO ALLOW SAFE ACCESS AND EGRESS TO A WORKING PLATFORM. COMBINED WITH A SWING GATE AND GUARD RAILS, THE NEW CLIMBING OUTRIGGERS ALLOW THE USER QUICK AND SAFE ACCESS.



CS1- STABILITY OUTRIGGER

STABILITY OUTRIGGERS CAN ADD EXTRA STABILITY FOR THE CS1 USER.



SINCE 1974

CANADA SCAFFOLD

SAFETY INTEGRITY VALUE

SALES | RENTALS | INSTALLATIONS | MANUFACTURING

SCAFFOLDING

STRUCTURAL STEEL

SWING STAGE

SHORING

CSS CONNECTORS

BLEACHERS

CONSTRUCTION FENCING

SAFETY EQUIPMENT



CANADA SCAFFOLD SUPPLY CO. LTD.

11331 Twigg Place,
Richmond, BC V6V 3C9

TEL: 604.324.7691 1.800.293.0133

FAX: 604.324.0862 1.800.333.1012

EMAIL: info@canadascaffold.com

www.CanadaScaffold.com